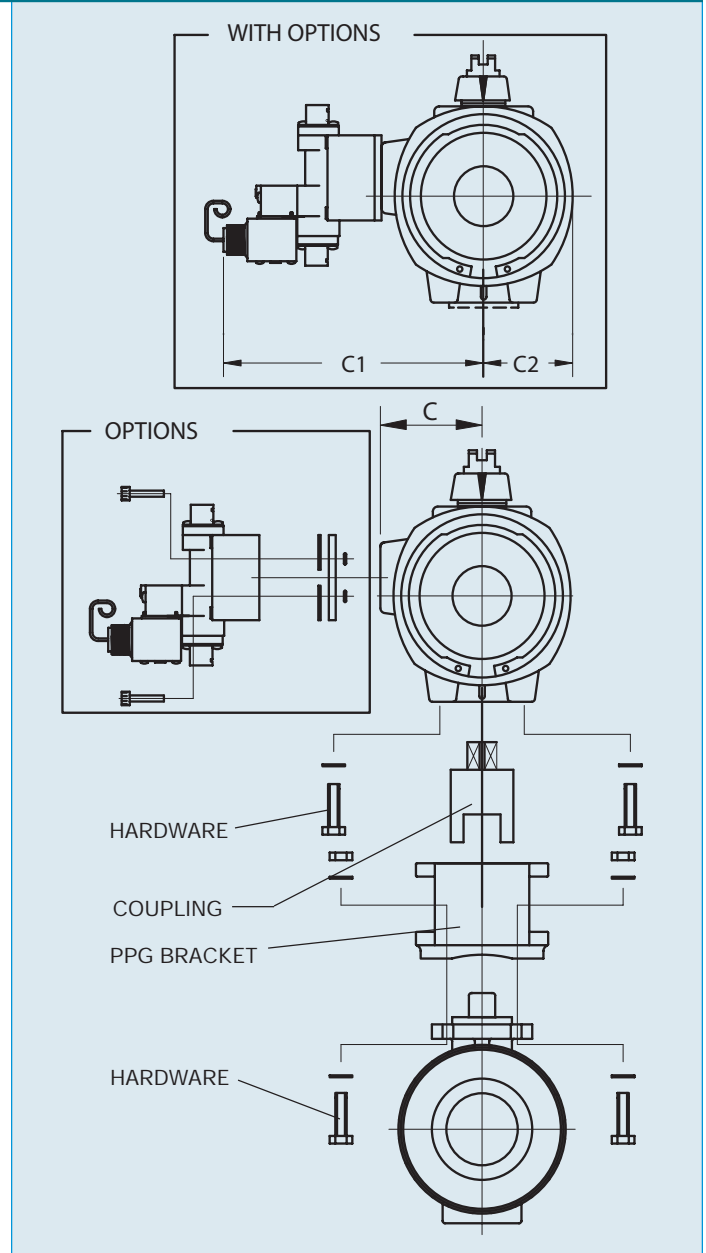
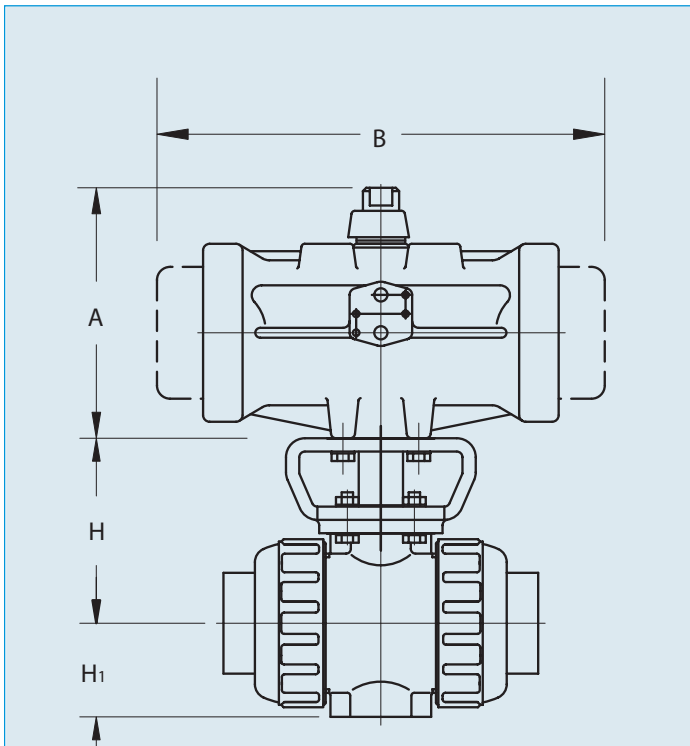


Pneumatically Actuated Ball Valves



Type 79P on Type 21 Ball Valve



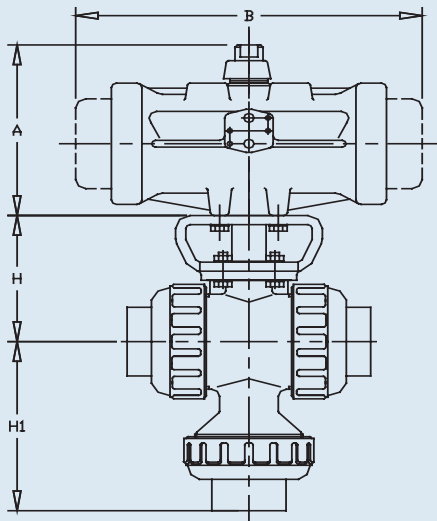
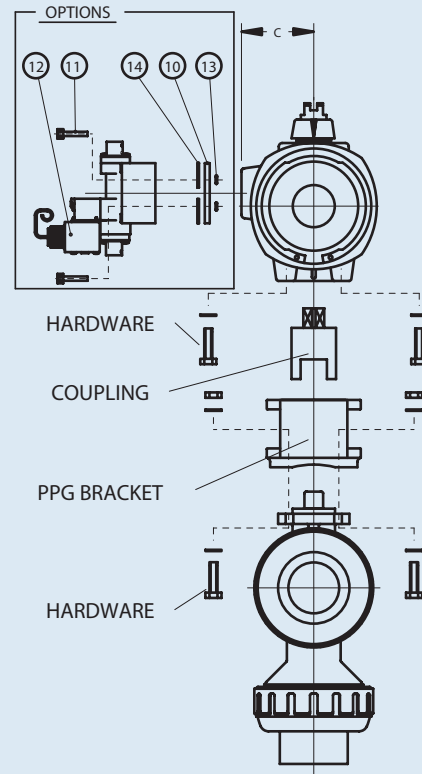
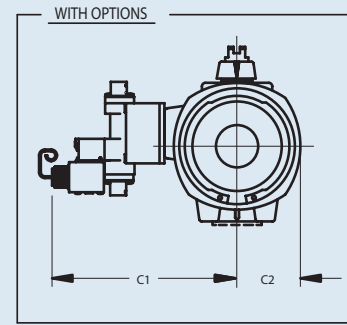
Dimensions (Sizes 1/2" – 4")

NOMINAL SIZE		Model No. Air-Air	Model No. Air-Spring	H	H1	A		B		C		C1		C2	
						A-A	A-S	A-A	A-S	A-A	A-S	A-A	A-S	A-A	A-S
1/2	15	AP79PN	AP79PSN	2.76	1.14	3.34	3.34	4.22	5.55	1.47	1.47	5.41	5.41	1.21	1.21
3/4	20	AP79PN	AP79PSN	3.01	1.38	3.34	3.34	4.22	5.55	1.47	1.47	5.41	5.41	1.21	1.21
1	25	AP79PN	AP79PSN	3.29	1.54	3.34	3.34	4.22	5.55	1.47	1.47	5.41	5.41	1.21	1.21
1 1/4	32	AP79PN	AP79PSN	3.64	1.85	3.34	3.34	4.22	5.55	1.47	1.47	5.41	5.41	1.21	1.21
1 1/2	40	AP79PN	BP79PSN	3.98	2.17	3.34	4.40	4.22	5.86	1.47	1.73	5.41	5.41	1.21	1.41
2	50	AP79PN	CP79PSN	4.43	2.60	3.34	5.00	4.22	7.64	1.47	1.97	5.41	5.41	1.21	1.85
2 1/2	65	CP79PN	CP79PSN	5.12	2.83	5.00	5.00	7.00	8.74	1.97	1.97	5.89	5.89	1.85	1.85
3	80	CP79PN	DP79PSN	5.47	3.35	5.00	6.49	7.00	11.49	1.97	2.56	5.89	5.89	1.85	2.36
4	100	DP79PN	DP79PSN	6.97	4.33	6.49	6.49	9.21	11.49	2.56	2.56	6.48	6.48	2.36	2.36

Pneumatically Actuated Type 23



Series 79P on Multiport Valve



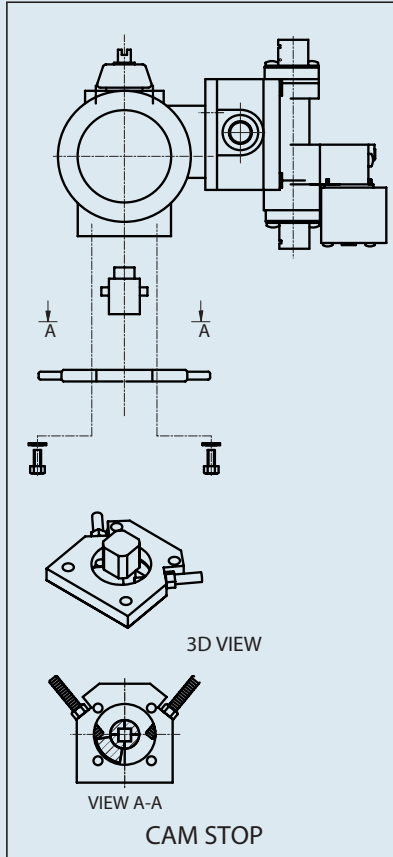
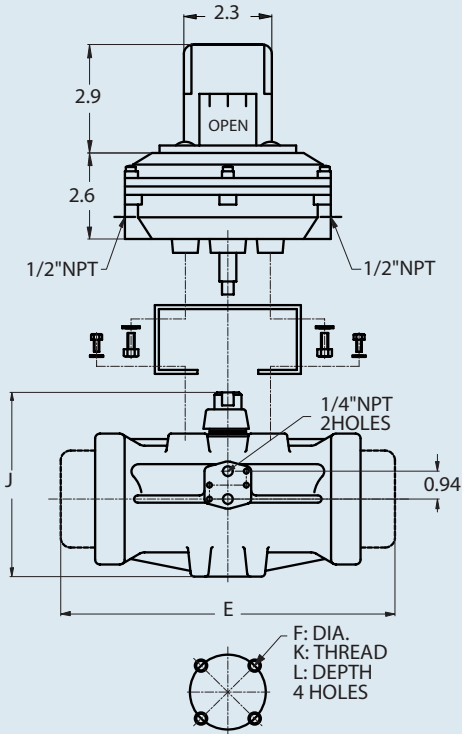
Dimensions (Sizes 1/2" - 4")

NOMINAL SIZE		Model No. Air-Air	Model No. Air-Spring	H	H1	A		B		C		C1		C2	
						A-A	A-S	A-A	A-S	A-A	A-S	A-A	A-S	A-A	A-S
INCHES	mm														
1/2	15	AP79PN	AP79PSN	2.76	3.08	3.34	3.34	4.22	5.55	1.47	1.47	5.41	5.41	1.21	1.21
3/4	20	AP79PN	AP79PSN	3.01	3.56	3.34	3.34	4.22	5.55	1.47	1.47	5.41	5.41	1.21	1.21
1	25	AP79PN	AP79PSN	3.29	4.32	3.34	3.34	4.22	5.55	1.47	1.47	5.41	5.41	1.21	1.21
1 1/2	40	AP79PN	BP79PSN	3.98	5.71	3.34	4.40	4.22	5.86	1.47	1.73	5.41	5.66	1.21	1.41
2	50	AP79PN	CP79PSN	4.43	6.66	3.34	5.00	4.22	7.64	1.47	1.97	5.41	5.89	1.21	1.85
3	80	CP79PN	DP79PSN	5.47	9.59	5.00	6.49	7.00	11.49	1.97	2.56	5.89	6.48	1.85	2.36
4	100	DP79PN	DP79PSN	6.97	11.58	6.49	6.49	9.21	11.49	2.56	2.56	6.48	6.48	2.36	2.36

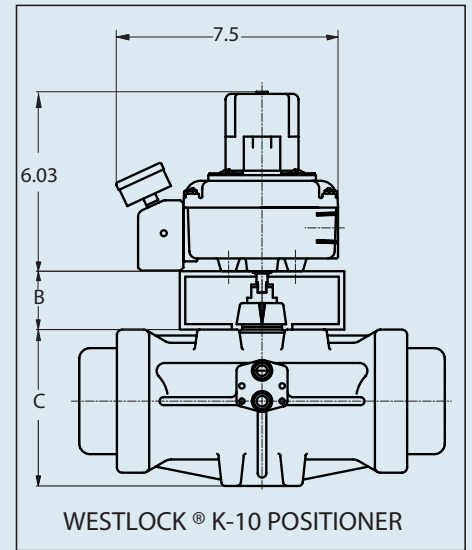
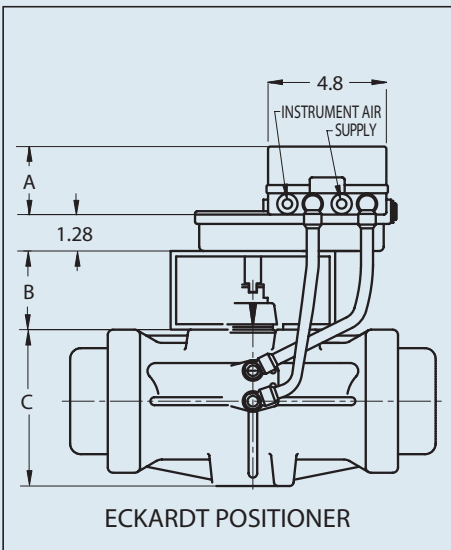
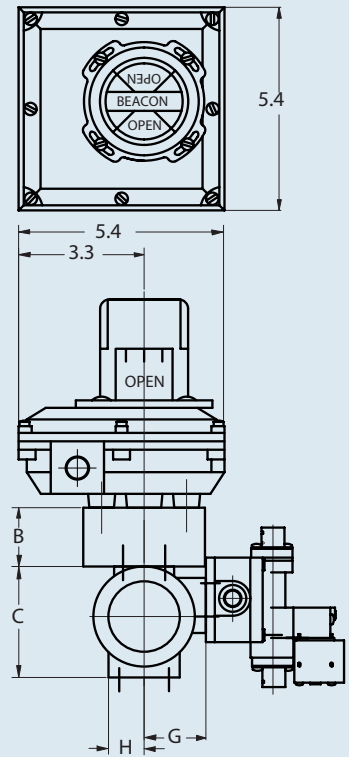
Double-L port ball configuration supplied as a standard for 90 degree rotation

Pneumatic Actuator and Options

SWITCH ASSEMBLY



SWITCH ASSEMBLY WITH SOLENOID



Dimensions (INCHES)
ACTUATOR WITH LIMIT SWITCH

ACTUATOR SIZE	E		A-A	A-S	F	H	G	J	K	L
	B	C								
AP79P	1.75	2.56	4.22	5.55	1.65	1.21	1.48	3.34	6mm	.16
BP79P	2.16	3.14	4.92	5.86	1.97	1.41	1.73	4.40	6mm	.50
CP79P	2.16	3.81	7.00	8.74	2.76	1.85	1.96	5.00	8mm	.62
DP79P	2.16	5.15	9.21	11.49	2.76	2.36	2.55	6.49	8mm	.75

Dimensions (INCHES)
ACTUATOR WITH POSITIONER

ACTUATOR SIZE	E		A	
	B	C	A-A	A-S
AP79P	1.75	2.56	4.22	5.55
BP79P	2.16	3.14	4.92	5.86
CP79P	2.16	3.81	7.00	8.74
DP79P	2.16	5.15	9.21	11.49

Air CONSUMPTION

MODEL NO.	Cubic Inches
AP79P	6.0
BP79P	9.0
CP79P	19.5
DP79P	52.0