

# Y Strainers



## Features - PVC Gray, PVC Clear & CPVC

Spears® Y-type sediment strainers are the perfect choice for in-line removal of suspended solids, sediment, dirt and debris. Convenient removable strainer basket allows quick cleaning with an assortment of screen mesh sizes to meet a variety of application needs. Spears® Y-Strainers are produced from PVC Gray, PVC Clear for fluid visibility and CPVC Gray for higher temperatures. Available with socket, Special Reinforced (SR) threads, flanged, or True Union socket and SR threaded end connectors in IPS sizes 1/2" - 4".

## Sample Engineering Specification

All sediment strainers shall be Y-type constructed from PVC Type I, ASTM D 1784 Cell Classification 12454 or CPVC Type IV, ASTM D 1784 Cell Classification 23447. All O-rings shall be EPDM or FKM. All Y-strainers shall have replaceable PVC, CPVC or Type 316 stainless steel screens and O-ring sealed drain plugs with magnetic drain plug option. All threaded Y-Strainers shall have Special Reinforced (SR) threads. All Y-Strainers, sizes 1/2"- 2" shall be pressure rated to 150 psi, sizes 3"- 4" to 90 psi for water at 73°F, as manufactured by Spears® Manufacturing Company.

- Provides In-line Protection of Process Equipment
- PVC, CPVC or PVC Clear Construction
- EPDM or FKM O-ring Seal
- Removable Strainer Basket with O-ring Sealed Drain Plug Allows Quick-Flushing or Bleed-Off Valve Connection
- Multiple Strainer Screen Options in PVC, CPVC, and Type 316 Stainless Steel (see Mesh Code table)
- Optional Magnetic Drain Plug for Ferrous Metal Pickup
- Suitable for Horizontal or Vertical Installation
- Sizes 1/2"- 2" Pressure Rated to 150 psi @ 73°F Sizes 3"- 4" to 90 psi @ 73°F
- Assembled with Silicone-Free, Water Soluble Lubricants

## Quick-View Y-Strainer Selection Chart

Valve Size	O-ring Material	PVC Material <sup>1,2,3</sup>						Pressure Rating	
		Socket	SR Threaded	Flanged	Socket Union	Threaded Union	SR Threaded Union		
1/2	EPDM	YS22P_-005	YS21P_-005SR	YS23P_-005	YS2AP_-005	YS2BP_-005	YS2BP_-005SR	150 psi Non-Shock Water @73°F	
	FKM	YS32P_-005	YS31P_-005SR	YS33P_-005	YS3AP_-005	YS3BP_-005	YS3BP_-005SR		
3/4	EPDM	YS22P_-007	YS21P_-007SR	YS23P_-007	YS2AP_-007	YS2BP_-007	YS2BP_-007SR		
	FKM	YS32P_-007	YS31P_-007SR	YS33P_-007	YS3AP_-007	YS3BP_-007	YS3BP_-007SR		
1	EPDM	YS22P_-010	YS21P_-010SR	YS23P_-010	YS2AP_-010	YS2BP_-010	YS2BP_-010SR		
	FKM	YS32P_-010	YS31P_-010SR	YS33P_-010	YS3AP_-010	YS3BP_-010	YS3BP_-010SR		
1-1/4	EPDM	YS22P_-012	YS21P_-012SR	YS23P_-012	YS2AP_-012	YS2BP_-012	YS2BP_-012SR		
	FKM	YS32P_-012	YS31P_-012SR	YS33P_-012	YS3AP_-012	YS3BP_-012	YS3BP_-012SR		
1-1/2	EPDM	YS22P_-015	YS21P_-015SR	YS23P_-015	YS2AP_-015	YS2BP_-015	YS2BP_-015SR		
	FKM	YS32P_-015	YS31P_-015SR	YS33P_-015	YS3AP_-015	YS3BP_-015	YS3BP_-015SR		
2	EPDM	YS22P_-020	YS21P_-020SR	YS23P_-020	YS2AP_-020	YS2BP_-020	YS2BP_-020SR		
	FKM	YS32P_-020	YS31P_-020SR	YS33P_-020	YS3AP_-020	YS3BP_-020	YS3BP_-020SR		
3	EPDM	YS22P_-030	YS21P_-030SR	YS23P_-030	YS2AP_-030	YS2BP_-030	YS2BP_-030SR		90 psi Non-Shock Water @73°F
	FKM	YS32P_-030	YS31P_-030SR	YS33P_-030	YS3AP_-030	YS3BP_-030	YS3BP_-030SR		
4	EPDM	YS22P_-040	YS21P_-040SR	YS23P_-040	YS2AP_-040	YS2BP_-040	YS2BP_-040SR		
	FKM	YS32P_-040	YS31P_-040SR	YS33P_-040	YS3AP_-040	YS3BP_-040	YS3BP_-040SR		

Enter Mesh Code in part number blank as specified in table. (Contact Spears® for additional strainer sizes).

1. For CPVC body & strainer screen unit, replace the letter "P" before the dash separator with the letter "C" and add the letter "C" to the part number (e.g., YS22C8-020C)
2. For stainless steel strainer screens, replace the letter "P" (or "C") before the dash separator with the letter "S" (e.g., YS22S8-020)
3. For PVC Clear Y-Strainer, add the letters "CL" to the part number (e.g., YS22P8-005CL)

**Note:** End connections for PVC Clear threaded and flanged Y-strainers are PVC Gray components.

Made in the U.S.A.

## Mesh Codes for PVC, CPVC & SS

Mesh	Sieve Opening Size (in.)	Mesh Code
8 Mesh	0.094	8
12 mesh	0.062	12
20 Mesh	0.033	20
30 Mesh	0.024	30

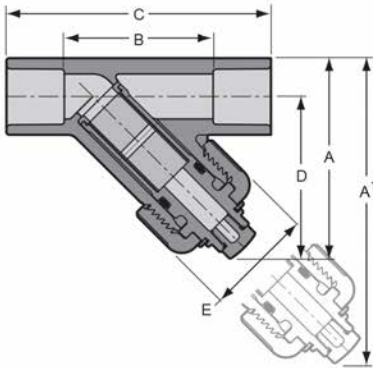
Additional Stainless Steel screens available to 320 mesh, custom ordered.



Suitable for Oil-Free air handling to 25 psi, not for distribution of compressed air or gas  
See Spears® Product Sourcebook for product Offerings

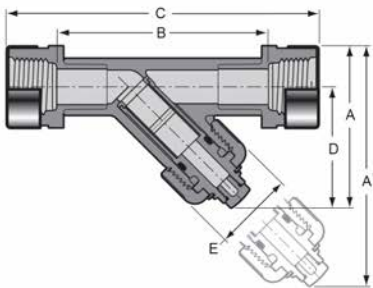


# Y Strainers



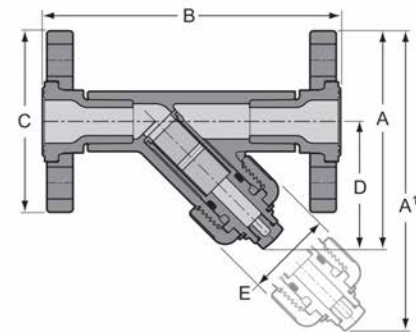
## Socket Y-Strainer Dimensions & Weights

Nominal Size	Dimension Reference (inches, ± 1/16)						Approx. Wt. (Lbs.)	
	A <sup>1</sup>	A	B	C	D	E	Socket	
							PVC	CPVC
1/2	5	3-1/16	1-9/16	3-3/8	2-9/16	1-5/8	.31	.33
3/4	5-3/4	3-11/16	2	4	3	2	.50	.53
1	6-7/8	4-7/16	2-1/2	4-3/4	3-5/8	2-1/4	.85	.90
1-1/4	8-5/32	5-5/16	3-1/16	5-9/16	4-1/4	2-13/16	1.21	1.28
1-1/2	9-1/8	6	3-9/16	6-5/16	4-7/8	3-3/16	1.66	1.76
2	11-3/4	7-5/8	4-1/2	7-1/2	6-3/16	3-1/2	2.96	3.10
3	15	9-11/16	6-9/16	10-5/16	7-5/8	5-1/8	5.34	5.64
4	19-11/16	12-1/2	8-5/8	13-1/8	9-7/8	6-9/16	9.97	10.45



## SR Threaded Y-Strainer Dimensions & Weights

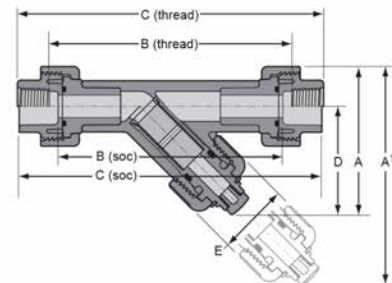
Nominal Size	Dimension Reference (inches, ± 1/16)						Approx. Wt. (Lbs.)	
	A <sup>1</sup>	A	B	C	D	E	SR Threaded	
							PVC	CPVC
1/2	6-1/2	4-11/16	3-5/8	5-1/16	4	2-3/8	.31	.33
3/4	7-5/8	5-7/16	4-3/8	5-13/16	4-9/16	2-3/8	.50	.53
1	8-5/8	6-1/8	5-3/16	7	5-1/8	2-3/8	.85	.90
1-1/4	11-1/8	7-3/4	6	7-15/16	6-1/2	3-1/2	1.21	1.28
1-1/2	12-1/4	8-7/8	6-15/16	8-13/16	7-1/2	3-1/2	1.66	1.76
2	14-1/16	10-3/16	8-1/8	10-1/8	8-1/2	3-1/2	2.96	3.10
3	20	14-13/16	11	14-1/4	12-7/16	6-5/8	5.34	5.64
4	25-13/16	18-1/2	14	14-3/4	15-5/8	7-15/16	9.97	10.45



## Flanged Y-Strainer Dimensions & Weights

Nominal Size	Dimension Reference (inches, ± 1/16)						Approx. Wt. (Lbs.)	
	A <sup>1</sup>	A	B	C	D	E	Flanged	
							PVC	CPVC
1/2	5-13/16	4-3/16	5-11/16	3-1/2	2-1/2	1-5/8	.82	.85
3/4	7-1/8	5	6-7/16	3-7/8	3-1/8	2	1.23	1.28
1	8-3/16	5-3/4	7-1/4	4-1/4	3-5/8	2-1/4	1.70	1.81
1-1/4	9-7/16	6-9/16	8-1/8	4-5/8	4-9/32	2-13/16	2.40	2.52
1-1/2	10-7/16	7-3/8	9-3/16	5	4-7/8	3-3/16	3.07	3.25
2	13-1/4	9-1/8	10-3/8	6	6-3/16	3-1/2	5.20	5.42
3	16-21/32	11-3/8	12-1/32	7-1/2	7-5/8	5-1/8	9.44	10.07
4	21-19/32	14-5/16	14-9/16	9-1/16	9-7/8	6-9/16	14.87	16.15

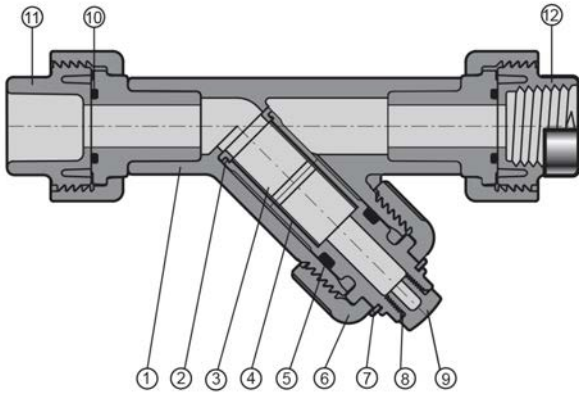
Note: 4" flanged Y-strainer uses split flange ring



## True Union Y-Strainer Dimensions & Weights

Nominal Size	Dimension Reference (inches, ± 1/16)						Approx. Wt. (Lbs.)			
	A <sup>1</sup>	A	B		C		D	E	Union	
			Socket	SR Thread	Socket	SR Thread			PVC	CPVC
1/2	5	3-7/16	5-1/8	5-1/2	6-7/8	7	2-1/2	1-5/8	.49	.53
3/4	6-3/16	4-1/8	5-7/8	6-7/16	7-7/8	7-7/8	3	2	.80	.85
1	7-5/16	4-7/8	6-1/2	7-3/8	8-3/4	9	3-5/8	2-1/4	1.13	1.20
1-1/4	8-5/8	5-13/16	7-7/16	6-3/16	9-15/16	10-1/8	4-1/4	2-13/16	1.84	1.90
1-1/2	9-3/4	6-5/8	8-3/16	9	10-15/16	10-15/16	4-7/8	3-3/16	2.44	2.52
2	12-7/16	8-15/16	9-7/16	10-13/16	12-7/16	12-13/16	6-3/16	3-1/2	4.33	4.45
3	16-1/6	10-3/4	12-3/16	13-15/16	16	16-3/4	7-5/8	5-1/8	10.35	10.55
4	20-15/16	13-3/4	15-5/16	17-1/2	19-13/16	20-1/2	9-7/8	6-9/16	18.51	18.80

# Y Strainers



## Replacement Parts

NO.	COMPONENT	QTY.	MATERIAL
1	Body <sup>1</sup> (SOC/SR/FLANGE/UNION)	1	PVC/PVC CLEAR/CPVC
2	Screen Support Ring	1	PVC/CPVC
3	Screen	1	PVC/CPVC/SS 316
4	Screen Support Housing	1	PVC/CPVC
5	Housing O-ring	1	EPDM/FKM
6	Bonnet Nut	1	PVC/CPVC
7	Retaining Clip	1	PP
8	Plug O-ring	1	EPDM/FKM
9	Plug	1	PVC/CPVC
10	Union O-ring	2	EPDM/FKM
11	Union Socket End	2	PVC/CPVC
12	Union SR Threaded End	2	PVC/CPVC

- 1 - Body Includes: Body (1), Spigot Adapters (2), SS Collars (2)
- Flange Body Includes: Body (1), Spigot Hubs (2), Flange Rings (2)
- Union Body Includes: Body (1), Spigot Ends (2), Nuts (2)

## Temperature Pressure Rating

System Operating Temperature °F (°C)		100 (38)	110 (43)	120 (49)	130 (54)	140 (60)	150 (66)	160 (71)	170 (77)	180 (82)	190 (88)	200 (93)	210 (99)
Strainer Pressure Rating psi (MPa)	1/2" - 2"	PVC	150 (1.03)	135 (.93)	110 (.76)	75 (.52)	50 (.34)	-0-	-0-	-0-	-0-	-0-	-0-
		CPVC	150 (1.03)	140 (.97)	130 (.90)	120 (.83)	110 (.76)	100 (.70)	90 (.62)	80 (.55)	70 (.48)	60 (.41)	50 (.34)
	3" - 4"	PVC	90 (.70)	85 (.62)	75 (.52)	60 (.41)	40 (.30)	-0-	-0-	-0-	-0-	-0-	-0-
		CPVC	90 (.70)	85 (.62)	80 (.55)	75 (.52)	70 (.48)	60 (.41)	50 (.34)	45 (.31)	40 (.30)	35 (.24)	30 (.21)

## Drain Plug Tap Size

Y-Strainer Size	Tap Size (NPT)
1/2	1/4 - 18
3/4	1/4 - 18
1	3/8 - 18
1-1/4	1/2 - 14
1-1/2	1 - 11 - 1/2
2	1 - 11 - 1/2
3	1 - 11 - 1/2
4	1 - 11 - 1/2

## Y-Strainer C<sub>v</sub>

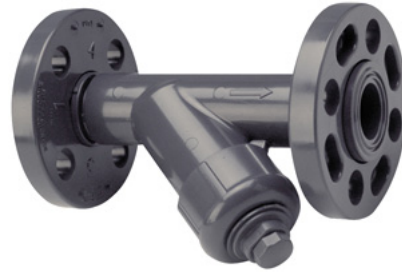
Nominal Size	Plastic Strainer Mesh			
	8	12	20	30
1/2	5.5	5.4	5.3	5.2
3/4	8.2	7.8	7.5	7.2
1	14.3	13.9	13.6	13.3
1-1/4	33.6	32.9	29.4	25.4
1-1/2	43.8	41.6	33.0	32.1
2	50.6	50.0	49.6	48.8
3	75.2	74.6	74.0	73.4
4	169.5	169.0	168.8	168.0

Gallons per minute at 1 psi pressure drop.  
 Plastic Strainers are perforated PVC or CPVC screens.  
 Standard is mesh.

## Filters & Strainers Y-Strainers



Socket



Flanged



SR Thread



True Union

Part numbers shown reflect a mesh size of 8. For different mesh sizes, substitute Mesh Code in part number as specified in chart below.

U.S. Standard Mesh Sieve No.	Sieve Opening Size (in.)	Part Number Mesh Code
8	0.094	8
12	0.062	12
20	0.033	20
30	0.024	30

Example: for 12 Mesh, specify  
YS22P12-005

Additional Mesh Sizes available on request.

Pressure Rating @ 73°F (23°C), Water

1/2" - 2"      150 psi  
3" - 4"      90 psi

Maximum Service Temperature

PVC = 140°F (60°C)  
CPVC = 200°F (93°C)

Temperature/Pressure  
De-ratings Apply

### Y-Strainer PVC - Socket Ends

Size	EPDM Seals PVC Screen	EPDM Seals SS Screen	FKM Seals PVC Screen	FKM Seals SS Screen	Std Pk	Mstr Pk	Prod Code
1/2	YS22P8-005	YS22S8-005	YS32P8-005	YS32S8-005	1	18	102
	91.62	181.31	100.06	199.21			
3/4	YS22P8-007	YS22S8-007	YS32P8-007	YS32S8-007	1	18	102
	102.37	207.34	112.81	233.84			
1	YS22P8-010	YS22S8-010	YS32P8-010	YS32S8-010	1	12	102
	112.57	245.95	123.94	270.40			
1-1/4	YS22P8-012	YS22S8-012	YS32P8-012	YS32S8-012	1	8	102
	190.61	354.86	211.81	391.24			
1-1/2	YS22P8-015	YS22S8-015	YS32P8-015	YS32S8-015	1	8	102
	201.68	378.27	224.13	415.37			
2	YS22P8-020	YS22S8-020	YS32P8-020	YS32S8-020	1	4	102
	236.92	427.27	263.21	474.73			
3	YS22P8-030	YS22S8-030	YS32P8-030	YS32S8-030	1	0	102
	546.03	737.65	586.74	778.36			
4	YS22P8-040	YS22S8-040	YS32P8-040	YS32S8-040	1	0	102
	954.72	1195.52	1027.64	1268.41			

### Y-Strainer PVC - SR Threaded Ends

Size	EPDM Seals PVC Screen	EPDM Seals SS Screen	FKM Seals PVC Screen	FKM Seals SS Screen	Std Pk	Mstr Pk	Prod Code
1/2	YS21P8-005SR	YS21S8-005SR	YS31P8-005SR	YS31S8-005SR	1	18	102
	96.56	186.25	104.97	204.14			
3/4	YS21P8-007SR	YS21S8-007SR	YS31P8-007SR	YS31S8-007SR	1	12	102
	109.47	214.43	119.88	240.99			
1	YS21P8-010SR	YS21S8-010SR	YS31P8-010SR	YS31S8-010SR	1	8	102
	123.11	256.52	134.48	280.99			
1-1/4	YS21P8-012SR	YS21S8-012SR	YS31P8-012SR	YS31S8-012SR	1	8	102
	207.81	372.05	229.02	408.43			
1-1/2	YS21P8-015SR	YS21S8-015SR	YS31P8-015SR	YS31S8-015SR	1	4	102
	222.81	399.41	245.20	436.62			
2	YS21P8-020SR	YS21S8-020SR	YS31P8-020SR	YS31S8-020SR	1	0	102
	273.67	464.02	299.99	511.51			



## Filters & Strainers Y-Strainers

### Y-Strainer PVC - SR Threaded Ends (continued)

Size	EPDM Seals PVC Screen	EPDM Seals SS Screen	FKM Seals PVC Screen	FKM Seals SS Screen	Std Pk	Mstr Pk	Prod Code
<b>3</b>	YS21P8-030SR 592.00	YS21S8-030SR 783.44	YS31P8-030SR 632.54	YS31S8-030SR 824.14	1	0	102
<b>4</b>	YS21P8-040SR 1002.19	YS21S8-040SR 1242.99	YS31P8-040SR 1315.93	YS31S8-040SR 1315.93	1	0	102

### Y-Strainer PVC - Flanged Ends

Size	EPDM Seals PVC Screen	EPDM Seals SS Screen	FKM Seals PVC Screen	FKM Seals SS Screen	Std Pk	Mstr Pk	Prod Code
<b>1/2</b>	YS23P8-005 149.76	YS23S8-005 253.31	YS33P8-005 166.24	YS33S8-005 331.04	1	8	102
<b>3/4</b>	YS23P8-007 159.11	YS23S8-007 289.24	YS33P8-007 172.54	YS33S8-007 379.40	1	8	102
<b>1</b>	YS23P8-010 169.88	YS23S8-010 319.72	YS33P8-010 185.06	YS33S8-010 444.28	1	8	102
<b>1-1/4</b>	YS23P8-012 272.34	YS23S8-012 468.54	YS33P8-012 296.91	YS33S8-012 636.61	1	4	102
<b>1-1/2</b>	YS23P8-015 303.48	YS23S8-015 506.38	YS33P8-015 336.98	YS33S8-015 683.14	1	4	102
<b>2</b>	YS23P8-020 381.55	YS23S8-020 603.14	YS33P8-020 418.66	YS33S8-020 776.07	1	0	102
<b>3</b>	YS23P8-030 842.80	YS23S8-030 1034.40	YS33P8-030 905.52	YS33S8-030 1097.66	1	0	102
<b>4</b>	YS23P8-040 1358.31	YS23S8-040 1599.12	YS33P8-040 1460.05	YS33S8-040 1700.83	1	0	102

### Y-Strainer PVC Clear - Socket Ends

Size	EPDM Seals PVC Screen	EPDM Seals SS Screen	FKM Seals PVC Screen	FKM Seals SS Screen	Std Pk	Mstr Pk	Prod Code
<b>1/2</b>	YS22P8-005CL 91.62	YS22S8-005CL 181.31	YS32P8-005CL 100.06	YS32S8-005CL 199.21	1	18	103
<b>3/4</b>	YS22P8-007CL 102.37	YS22S8-007CL 207.34	YS32P8-007CL 112.81	YS32S8-007CL 233.84	1	18	103
<b>1</b>	YS22P8-010CL 112.57	YS22S8-010CL 245.95	YS32P8-010CL 123.94	YS32S8-010CL 270.40	1	12	103
<b>1-1/4</b>	YS22P8-012CL 190.61	YS22S8-012CL 354.86	YS32P8-012CL 211.81	YS32S8-012CL 391.24	1	8	103
<b>1-1/2</b>	YS22P8-015CL 201.68	YS22S8-015CL 378.27	YS32P8-015CL 224.13	YS32S8-015CL 415.37	1	8	103
<b>2</b>	YS22P8-020CL 236.92	YS22S8-020CL 462.74	YS32P8-020CL 263.21	YS32S8-020CL 474.73	1	4	103
<b>3</b>	YS22P8-030CL 546.03	YS22S8-030CL 737.65	YS32P8-030CL 586.74	YS32S8-030CL 778.36	1	0	103
<b>4</b>	YS22P8-040CL 954.72	YS22S8-040CL 1195.52	YS32P8-040CL 1027.64	YS32S8-040CL 1268.41	1	0	103

### Y-Strainer PVC Clear - SR Threaded Ends

Size	EPDM Seals PVC Screen	EPDM Seals SS Screen	FKM Seals PVC Screen	FKM Seals SS Screen	Std Pk	Mstr Pk	Prod Code
<b>1/2</b>	YS21P8-005CLSR 96.56	YS21S8-005CLSR 186.25	YS31P8-005CLSR 104.97	YS31S8-005CLSR 204.14	1	18	103
<b>3/4</b>	YS21P8-007CLSR 109.47	YS21S8-007CLSR 214.43	YS31P8-007CLSR 119.88	YS31S8-007CLSR 240.99	1	12	103
<b>1</b>	YS21P8-010CLSR 123.11	YS21S8-010CLSR 256.52	YS31P8-010CLSR 134.48	YS31S8-010CLSR 280.99	1	8	103
<b>1-1/4</b>	YS21P8-012CLSR 207.81	YS21S8-012CLSR 372.05	YS31P8-012CLSR 229.02	YS31S8-012CLSR 408.43	1	8	103
<b>1-1/2</b>	YS21P8-015CLSR 222.81	YS21S8-015CLSR 399.41	YS31P8-015CLSR 245.20	YS31S8-015CLSR 436.62	1	4	103
<b>2</b>	YS21P8-020CLSR 273.67	YS21S8-020CLSR 464.02	YS31P8-020CLSR 299.99	YS31S8-020CLSR 511.51	1	0	103
<b>3</b>	YS21P8-030CLSR 592.00	YS21S8-030CLSR 783.44	YS31P8-030CLSR 632.54	YS31S8-030CLSR 824.14	1	0	103
<b>4</b>	YS21P8-040CLSR 1002.19	YS21S8-040CLSR 1242.99	YS31P8-040CLSR 1315.93	YS31S8-040CLSR 1315.93	1	0	103

### Y-Strainer PVC Clear - Flanged Ends

Size	EPDM Seals PVC Screen	EPDM Seals SS Screen	FKM Seals PVC Screen	FKM Seals SS Screen	Std Pk	Mstr Pk	Prod Code
<b>1/2</b>	YS23P8-005CL 149.76	YS23S8-005CL 253.31	YS33P8-005CL 166.24	YS33S8-005CL 331.04	1	8	103
<b>3/4</b>	YS23P8-007CL 159.11	YS23S8-007CL 289.24	YS33P8-007CL 172.54	YS33S8-007CL 379.40	1	8	103
<b>1</b>	YS23P8-010CL 169.88	YS23S8-010CL 319.72	YS33P8-010CL 185.06	YS33S8-010CL 444.28	1	8	103
<b>1-1/4</b>	YS23P8-012CL 272.34	YS23S8-012CL 468.54	YS33P8-012CL 296.91	YS33S8-012CL 636.61	1	4	103

**Filters & Strainers**  
**Y-Strainers & True Union Y-Strainers**



**Y-Strainer PVC Clear - Flanged Ends (continued)**

Size	EPDM Seals PVC Screen	EPDM Seals SS Screen	FKM Seals PVC Screen	FKM Seals SS Screen	Std Pk	Mstr Pk	Prod Code
1-1/2	YS23P8-015CL 303.48	YS23S8-015CL 506.38	YS33P8-015CL 336.98	YS33S8-015CL 683.14	1	4	103
2	YS23P8-020CL 381.55	YS23S8-020CL 603.14	YS33P8-020CL 418.66	YS33S8-020CL 776.07	1	0	103
3	YS23P8-030CL 842.80	YS23S8-030CL 1034.40	YS33P8-030CL 905.52	YS33S8-030CL 1097.66	1	0	103
4	YS23P8-040CL 1358.31	YS23S8-040CL 1599.12	YS33P8-040CL 1460.05	YS33S8-040CL 1700.83	1	0	103

**Y-Strainer CPVC - Socket Ends**

Size	EPDM Seals CPVC Screen	EPDM Seals SS Screen	FKM Seals CPVC Screen	FKM Seals SS Screen	Std Pk	Mstr Pk	Prod Code
1/2	YS22C8-005C 244.42	YS22S8-005C 335.93	YS32C8-005C 273.71	YS32S8-005C 377.60	1	18	104
3/4	YS22C8-007C 268.56	YS22S8-007C 382.03	YS32C8-007C 302.35	YS32S8-007C 429.40	1	18	104
1	YS22C8-010C 341.25	YS22S8-010C 472.52	YS32C8-010C 384.39	YS32S8-010C 530.26	1	12	104
1-1/4	YS22C8-012C 495.39	YS22S8-012C 681.77	YS32C8-012C 596.17	YS32S8-012C 721.93	1	8	104
1-1/2	YS22C8-015C 532.13	YS22S8-015C 704.25	YS32C8-015C 618.51	YS32S8-015C 787.39	1	8	104
2	YS22C8-020C 753.42	YS22S8-020C 882.86	YS32C8-020C 796.12	YS32S8-020C 962.93	1	4	104
3	YS22C8-030C 898.75	YS22S8-030C 1075.11	YS32C8-030C 947.94	YS32S8-030C 1156.52	1	0	104
4	YS22C8-040C 1556.72	YS22S8-040C 1780.55	YS32C8-040C 1673.72	YS32S8-040C 1914.51	1	0	104

**Y-Strainer CPVC - SR Threaded Ends**

Size	EPDM Seals CPVC Screen	EPDM Seals SS Screen	FKM Seals CPVC Screen	FKM Seals SS Screen	Std Pk	Mstr Pk	Prod Code
1/2	YS21C8-005CSR 253.32	YS21S8-005CSR 344.82	YS31C8-005CSR 282.61	YS31S8-005CSR 386.51	1	18	104
3/4	YS21C8-007CSR 278.08	YS21S8-007CSR 391.54	YS31C8-007CSR 311.86	YS31S8-007CSR 438.93	1	12	104
1	YS21C8-010CSR 363.07	YS21S8-010CSR 494.31	YS31C8-010CSR 406.22	YS31S8-010CSR 552.03	1	8	104
1-1/4	YS21C8-012CSR 517.80	YS21S8-012CSR 665.80	YS31C8-012CSR 618.58	YS31S8-012CSR 744.37	1	8	104
1-1/2	YS21C8-015CSR 558.07	YS21S8-015CSR 730.19	YS31C8-015CSR 702.87	YS31S8-015CSR 813.32	1	4	104
2	YS21C8-020CSR 790.37	YS21S8-020CSR 919.81	YS31C8-020CSR 885.91	YS31S8-020CSR 999.84	1	0	104
3	YS21C8-030CSR 944.54	YS21S8-030CSR 1120.89	YS31C8-030CSR 1010.68	YS31S8-030CSR 1202.29	1	0	104
4	YS21C8-040CSR 1604.19	YS21S8-040CSR 1828.04	YS31C8-040CSR 1721.20	YS31S8-040CSR 1962.01	1	0	104

**Y-Strainer CPVC - Flanged Ends**

Size	EPDM Seals CPVC Screen	EPDM Seals SS Screen	FKM Seals CPVC Screen	FKM Seals SS Screen	Std Pk	Mstr Pk	Prod Code
1/2	YS23C8-005C 394.15	YS23S8-005C 483.92	YS33C8-005C 437.48	YS33S8-005C 539.86	1	8	104
3/4	YS23C8-007C 418.66	YS23S8-007C 514.78	YS33C8-007C 453.99	YS33S8-007C 574.51	1	8	104
1	YS23C8-010C 447.06	YS23S8-010C 571.97	YS33C8-010C 487.01	YS33S8-010C 637.66	1	8	104
1-1/4	YS23C8-012C 716.64	YS23S8-012C 882.19	YS33C8-012C 781.26	YS33S8-012C 982.34	1	4	104
1-1/2	YS23C8-015C 798.62	YS23S8-015C 980.22	YS33C8-015C 886.74	YS33S8-015C 1093.56	1	4	104
2	YS23C8-020C 1004.07	YS23S8-020C 1225.63	YS33C8-020C 1101.76	YS33S8-020C 1282.43	1	0	104
3	YS23C8-030C 1371.86	YS23S8-030C 1549.94	YS33C8-030C 1368.47	YS33S8-030C 1666.94	1	0	104
4	YS23C8-040C 2196.01	YS23S8-040C 2419.84	YS33C8-040C 2362.18	YS33S8-040C 2603.00	1	0	104



## Filters & Strainers True Union Y-Strainers

### True Union Socket Ends - PVC Gray

Size	EPDM PVC Screen	EPDM SS Screen	FKM PVC Screen	FKM SS Screen	Std Pk	Mstr Pk	Prod Code
1/2	YS2AP8-005 96.45	YS2AS8-005 190.83	YS3AP8-005 105.34	YS3AS8-005 209.71	1	12	102
3/4	YS2AP8-007 107.75	YS2AS8-007 218.24	YS3AP8-007 118.74	YS3AS8-007 246.17	1	8	102
1	YS2AP8-010 118.46	YS2AS8-010 258.91	YS3AP8-010 130.43	YS3AS8-010 284.66	1	8	102
1-1/4	YS2AP8-012 200.65	YS2AS8-012 374.20	YS3AP8-012 222.97	YS3AS8-012 411.81	1	4	102
1-1/2	YS2AP8-015 212.33	YS2AS8-015 398.18	YS3AP8-015 235.91	YS3AS8-015 437.25	1	0	102
2	YS2AP8-020 249.38	YS2AS8-020 449.73	YS3AP8-020 277.08	YS3AS8-020 499.73	1	0	102
3	YS2AP8-030 574.78	YS2AS8-030 776.46	YS3AP8-030 617.61	YS3AS8-030 819.33	1	0	102
4	YS2AP8-040 1004.97	YS2AS8-040 1258.44	YS3AP8-040 1081.69	YS3AS8-040 1335.18	1	0	102

### True Union Threaded Ends - PVC Gray

Size	EPDM PVC Screen	EPDM SS Screen	FKM PVC Screen	FKM SS Screen	Std Pk	Mstr Pk	Prod Code
1/2	YS2BP8-005 96.45	YS2BS8-005 190.83	YS3BP8-005 105.34	YS3BS8-005 209.71	1	12	102
3/4	YS2BP8-007 107.75	YS2BS8-007 218.24	YS3BP8-007 118.74	YS3BS8-007 246.17	1	8	102
1	YS2BP8-010 118.46	YS2BS8-010 258.91	YS3BP8-010 130.43	YS3BS8-010 284.66	1	8	102
1-1/4	YS2BP8-012 200.65	YS2BS8-012 374.20	YS3BP8-012 222.97	YS3BS8-012 411.81	1	4	102
1-1/2	YS2BP8-015 212.33	YS2BS8-015 398.18	YS3BP8-015 235.91	YS3BS8-015 437.25	1	0	102
2	YS2BP8-020 249.38	YS2BS8-020 449.73	YS3BP8-020 277.08	YS3BS8-020 499.73	1	0	102
3	YS2BP8-030 574.78	YS2BS8-030 776.46	YS3BP8-030 617.61	YS3BS8-030 819.33	1	0	102
4	YS2BP8-040 1004.97	YS2BS8-040 1258.44	YS3BP8-040 1081.69	YS3BS8-040 1335.18	1	0	102

### True Union SR Threaded Ends - PVC Gray

Size	EPDM PVC Screen	EPDM SS Screen	FKM PVC Screen	FKM SS Screen	Std Pk	Mstr Pk	Prod Code
1/2	YS2BP8-005SR 101.62	YS2BS8-005SR 196.02	YS3BP8-005SR 110.52	YS3BS8-005SR 214.91	1	12	102
3/4	YS2BP8-007SR 115.25	YS2BS8-007SR 225.72	YS3BP8-007SR 126.19	YS3BS8-007SR 253.66	1	8	102
1	YS2BP8-010SR 129.56	YS2BS8-010SR 269.98	YS3BP8-010SR 141.53	YS3BS8-010SR 295.77	1	8	102
1-1/4	YS2BP8-012SR 218.74	YS2BS8-012SR 391.63	YS3BP8-012SR 241.06	YS3BS8-012SR 429.92	1	4	102
1-1/2	YS2BP8-015SR 234.53	YS2BS8-015SR 420.43	YS3BP8-015SR 258.12	YS3BS8-015SR 459.60	1	0	102
2	YS2BP8-020SR 288.06	YS2BS8-020SR 488.43	YS3BP8-020SR 315.79	YS3BS8-020SR 538.44	1	0	102
3	YS2BP8-030SR 622.97	YS2BS8-030SR 824.67	YS3BP8-030SR 665.80	YS3BS8-030SR 867.53	1	0	102
4	YS2BP8-040SR 1054.97	YS2BS8-040SR 1308.42	YS3BP8-040SR 1131.72	YS3BS8-040SR 1385.18	1	0	102

### True Union Socket Ends - PVC Clear

Size	EPDM PVC Screen	EPDM SS Screen	FKM PVC Screen	FKM SS Screen	Std Pk	Mstr Pk	Prod Code
1/2	YS2AP8-005CL 96.45	YS2AS8-005CL 190.83	YS3AP8-005CL 105.34	YS3AS8-005CL 209.71	1	12	103
3/4	YS2AP8-007CL 107.75	YS2AS8-007CL 218.24	YS3AP8-007CL 118.74	YS3AS8-007CL 246.17	1	8	103
1	YS2AP8-010CL 118.46	YS2AS8-010CL 258.91	YS3AP8-010CL 130.43	YS3AS8-010CL 284.66	1	8	103
1-1/4	YS2AP8-012CL 200.65	YS2AS8-012CL 373.54	YS3AP8-012CL 222.97	YS3AS8-012CL 411.81	1	4	103
1-1/2	YS2AP8-015CL 212.33	YS2AS8-015CL 398.18	YS3AP8-015CL 235.91	YS3AS8-015CL 437.25	1	0	103
2	YS2AP8-020CL 249.38	YS2AS8-020CL 449.73	YS3AP8-020CL 277.08	YS3AS8-020CL 499.73	1	0	103
3	YS2AP8-030CL 574.78	YS2AS8-030CL 776.46	YS3AP8-030CL 617.61	YS3AS8-030CL 819.33	1	0	103
4	YS2AP8-040CL 1004.97	YS2AS8-040CL 1258.44	YS3AP8-040CL 1081.69	YS3AS8-040CL 1335.18	1	0	103

**Filters & Strainers**  
**True Union Y-Strainers**



**True Union Threaded Ends - PVC Clear**

Size	EPDM PVC Screen	EPDM SS Screen	FKM PVC Screen	FKM	Std Pk	Mstr Pk	Prod Code
1/2	YS2BP8-005CL 96.45	YS2BS8-005CL 190.83	YS3BP8-005CL 105.34	YS3BS8-005CL 209.71	1	12	103
3/4	YS2BP8-007CL 107.75	YS2BS8-007CL 218.24	YS3BP8-007CL 118.74	YS3BS8-007CL 246.17	1	8	103
1	YS2BP8-010CL 118.46	YS2BS8-010CL 258.92	YS3BP8-010CL 130.43	YS3BS8-010CL 284.66	1	8	103
1-1/4	YS2BP8-012CL 200.65	YS2BS8-012CL 373.54	YS3BP8-012CL 222.97	YS3BS8-012CL 411.81	1	4	103
1-1/2	YS2BP8-015CL 212.33	YS2BS8-015CL 398.18	YS3BP8-015CL 235.91	YS3BS8-015CL 437.25	1	0	103
2	YS2BP8-020CL 249.38	YS2BS8-020CL 449.73	YS3BP8-020CL 277.08	YS3BS8-020CL 499.73	1	0	103
3	YS2BP8-030CL 574.78	YS2BS8-030CL 776.46	YS3BP8-030CL 617.61	YS3BS8-030CL 819.33	1	0	103
4	YS2BP8-040CL 1004.97	YS2BS8-040CL 1258.44	YS3BP8-040CL 1081.69	YS3BS8-040CL 1335.18	1	0	103

**True Union SR Threaded Ends - PVC Clear**

Size	EPDM PVC Screen	EPDM SS Screen	FKM PVC Screen	FKM SS Screen	Std Pk	Mstr Pk	Prod Code
1/2	YS2BP8-005CLSR 101.62	YS2BS8-005CLSR 196.02	YS3BP8-005CLSR 110.52	YS3BS8-005CLSR 214.91	1	12	103
3/4	YS2BP8-007CLSR 115.25	YS2BS8-007CLSR 225.72	YS3BP8-007CLSR 126.19	YS3BS8-007CLSR 253.66	1	8	103
1	YS2BP8-010CLSR 129.56	YS2BS8-010CLSR 269.98	YS3BP8-010CLSR 141.53	YS3BS8-010CLSR 295.77	1	8	103
1-1/4	YS2BP8-012CLSR 218.74	YS2BS8-012CLSR 391.63	YS3BP8-012CLSR 241.06	YS3BS8-012CLSR 429.92	1	4	103
1-1/2	YS2BP8-015CLSR 234.53	YS2BS8-015CLSR 420.43	YS3BP8-015CLSR 258.12	YS3BS8-015CLSR 459.60	1	0	103
2	YS2BP8-020CLSR 288.06	YS2BS8-020CLSR 488.43	YS3BP8-020CLSR 315.79	YS3BS8-020CLSR 538.44	1	0	103
3	YS2BP8-030CLSR 622.97	YS2BS8-030CLSR 824.67	YS3BP8-030CLSR 665.80	YS3BS8-030CLSR 867.53	1	0	103
4	YS2BP8-040CLSR 1054.97	YS2BS8-040CLSR 1308.42	YS3BP8-040CLSR 1131.72	YS3BS8-040CLSR 1385.18	1	0	103

**True Union Socket Ends - CPVC**

Size	EPDM CPVC Screen	EPDM SS Screen	FKM CPVC Screen	FKM SS Screen	Std Pk	Mstr Pk	Prod Code
1/2	YS2AC8-005C 257.29	YS2AS8-005C 353.61	YS3AC8-005C 288.15	YS3AS8-005C 397.46	1	12	104
3/4	YS2AC8-007C 282.69	YS2AS8-007C 402.14	YS3AC8-007C 318.26	YS3AS8-007C 452.00	1	8	104
1	YS2AC8-010C 359.21	YS2AS8-010C 497.41	YS3AC8-010C 404.63	YS3AS8-010C 558.15	1	8	104
1-1/4	YS2AC8-012C 521.46	YS2AS8-012C 717.65	YS3AC8-012C 627.53	YS3AS8-012C 761.01	1	4	104
1-1/2	YS2AC8-015C 560.14	YS2AS8-015C 741.31	YS3AC8-015C 651.09	YS3AS8-015C 828.82	1	0	104
2	YS2AC8-020C 793.06	YS2AS8-020C 929.32	YS3AC8-020C 838.02	YS3AS8-020C 1013.61	1	0	104
3	YS2AC8-030C 946.04	YS2AS8-030C 1131.72	YS3AC8-030C 1015.69	YS3AS8-030C 1217.38	1	0	104
4	YS2AC8-040C 1638.64	YS2AS8-040C 1874.25	YS3AC8-040C 1761.82	YS3AS8-040C 2015.29	1	0	104

**True Union Threaded Ends - CPVC**

Size	EPDM CPVC Screen	EPDM SS Screen	FKM CPVC Screen	FKM SS Screen	Std Pk	Mstr Pk	Prod Code
1/2	YS2BC8-005C 257.29	YS2BS8-005C 353.61	YS3BC8-005C 288.15	YS3BS8-005C 397.46	1	12	104
3/4	YS2BC8-007C 282.69	YS2BS8-007C 402.14	YS3BC8-007C 318.26	YS3BS8-007C 452.00	1	8	104
1	YS2BC8-010C 359.21	YS2BS8-010C 497.41	YS3BC8-010C 404.63	YS3BS8-010C 558.15	1	8	104
1-1/4	YS2BC8-012C 521.46	YS2BS8-012C 717.65	YS3BC8-012C 627.53	YS3BS8-012C 759.94	1	4	104
1-1/2	YS2BC8-015C 560.14	YS2BS8-015C 741.31	YS3BC8-015C 651.09	YS3BS8-015C 828.82	1	0	104
2	YS2BC8-020C 793.06	YS2BS8-020C 929.32	YS3BC8-020C 838.02	YS3BS8-020C 1013.61	1	0	104
3	YS2BC8-030C 946.04	YS2BS8-030C 1131.72	YS3BC8-030C 1000.41	YS3BS8-030C 1217.38	1	0	104
4	YS2BC8-040C 1638.64	YS2BS8-040C 1874.25	YS3BC8-040C 1761.82	YS3BS8-040C 2015.29	1	0	104





## Filters & Strainers

### True Union Y-Strainers & Y-Strainer Repair Kits

#### True Union SR Threaded Ends - CPVC

Size	EPDM CPVC Screen	EPDM SS Screen	FKM CPVC Screen	FKM SS Screen	Std Pk	Mstr Pk	Prod Code
1/2	YS2BC8-005CSR 266.67	YS2BS8-005CSR 362.94	YS3BC8-005CSR 297.48	YS3BS8-005CSR 406.85	1	12	104
3/4	YS2BC8-007CSR 292.72	YS2BS8-007CSR 412.13	YS3BC8-007CSR 328.28	YS3BS8-007CSR 462.03	1	12	104
1	YS2BC8-010CSR 382.16	YS2BS8-010CSR 520.28	YS3BC8-010CSR 427.58	YS3BS8-010CSR 581.40	1	8	104
1-1/4	YS2BC8-012CSR 545.03	YS2BS8-012CSR 700.84	YS3BC8-012CSR 651.12	YS3BS8-012CSR 783.53	1	4	104
1-1/2	YS2BC8-015CSR 587.42	YS2BS8-015CSR 768.62	YS3BC8-015CSR 739.84	YS3BS8-015CSR 856.13	1	0	104
2	YS2BC8-020CSR 831.98	YS2BS8-020CSR 968.21	YS3BC8-020CSR 932.54	YS3BS8-020CSR 1052.47	1	0	104
3	YS2BC8-030CSR 994.26	YS2BS8-030CSR 1179.91	YS3BC8-030CSR 1063.86	YS3BS8-030CSR 1265.57	1	0	104
4	YS2BC8-040CSR 1688.61	YS2BS8-040CSR 1924.25	YS3BC8-040CSR 1811.79	YS3BS8-040CSR 2065.24	1	0	104

#### Y-Strainer PVC Repair Kits

Size	EPDM Seals PVC Screen	EPDM Seals SS Screen	FKM Seals PVC Screen	FKM Seals SS Screen	Std Pk	Mstr Pk	Prod Code
1/2	YS-EP8-005 65.57	YS-ES8-005 140.11	YS-VP8-005 72.23	YS-VS8-005 156.25	1	18	299
3/4	YS-EP8-007 73.68	YS-ES8-007 153.35	YS-VP8-007 92.96	YS-VS8-007 162.80	1	18	299
1	YS-EP8-010 93.54	YS-ES8-010 158.56	YS-VP8-010 100.45	YS-VS8-010 169.94	1	12	299
1-1/4	YS-EP8-012 113.08	YS-ES8-012 195.00	YS-VP8-012 127.94	YS-VS8-012 197.51	1	12	299
1-1/2	YS-EP8-015 116.69	YS-ES8-015 207.86	YS-VP8-015 137.98	YS-VS8-015 198.82	1	12	299
2	YS-EP8-020 153.68	YS-ES8-020 235.79	YS-VP8-020 182.02	YS-VS8-020 237.51	1	4	299
3	YS-EP8-030 247.52	YS-ES8-030 430.18	YS-VP8-030 294.74	YS-VS8-030 474.85	1	0	299
4	YS-EP8-040 366.32	YS-ES8-040 567.72	YS-VP8-040 452.79	YS-VS8-040 695.44	1	0	299

Part numbers shown reflect a mesh size of 8. For different mesh sizes, substitute Mesh Code in part number as specified in chart at beginning of Y-Strainer listings

#### Y-Strainer CPVC Repair Kits

Size	EPDM Seals CPVC Screen	EPDM Seals SS Screen	FKM Seals CPVC Screen	FKM Seals SS Screen	Std Pk	Mstr Pk	Prod Code
1/2	YS-EC8-005 107.79	YS-ES8-005C 217.98	YS-VC8-005 137.89	YS-VS8-005C 258.57	1	18	299
3/4	YS-EC8-007 119.65	YS-ES8-007C 246.84	YS-VC8-007 162.81	YS-VS8-007C 297.68	1	18	299
1	YS-EC8-010 130.53	YS-ES8-010C 294.74	YS-VC8-010 191.05	YS-VS8-010C 373.95	1	12	299
1-1/4	YS-EC8-012 183.51	YS-ES8-012C 322.63	YS-VC8-012 229.47	YS-VS8-012C 466.46	1	12	299
1-1/2	YS-EC8-015 226.32	YS-ES8-015C 338.53	YS-VC8-015 287.58	YS-VS8-015C 574.03	1	12	299
2	YS-EC8-020 264.56	YS-ES8-020C 446.32	YS-VC8-020 336.42	YS-VS8-020C 744.88	1	12	299
3	YS-EC8-030 441.51	YS-ES8-030C 649.02	YS-VC8-030 514.01	YS-VS8-030C 868.52	1	4	299
4	YS-EC8-040 755.79	YS-ES8-040C 886.32	YS-VC8-040 882.59	YS-VS8-040C 1117.19	1	0	299

Part numbers shown reflect a mesh size of 8. For different mesh sizes, substitute Mesh Code in part number as specified in chart at beginning of Y-Strainer listings

**Filters & Strainers**  
**Y-Strainer Repair Kits & Y-Strainer Magnetic Drain Plugs**



**Y-Strainer Repair Kits**

**Y-Strainer O-ring Repair Kits**

Size	EPDM O-ring Kits	FKM O-ring Kits	Std Pk	Mstr Pk	Prod Code
<b>1/2</b>	YS-ERKU-005 1.46	YS-VRKU-005 3.03	1	10	299
<b>3/4</b>	YS-ERKU-007 1.55	YS-VRKU-007 3.47	1	10	299
<b>1</b>	YS-ERKU-010 1.93	YS-VRKU-010 3.81	1	10	299
<b>1-1/4</b>	YS-ERKU-012 2.42	YS-VRKU-012 4.83	1	10	299

**Kit Includes Housing O-ring, Plug O-ring and True Union Endconnector O-rings in Designated Elastomer**

**Y-Strainer O-ring Repair Kits (continued)**

Size	EPDM O-ring Kits	FKM O-ring Kits	Std Pk	Mstr Pk	Prod Code
<b>1-1/2</b>	YS-ERKU-015 2.92	YS-VRKU-015 9.35	1	10	299
<b>2</b>	YS-ERKU-020 3.52	YS-VRKU-020 13.05	1	10	299
<b>3</b>	YS-ERKU-030 5.22	YS-VRKU-030 23.58	1	10	299
<b>4</b>	YS-ERKU-040 5.94	YS-VRKU-040 29.47	1	10	299

**Kit Includes Housing O-ring, Plug O-ring and True Union Endconnector O-rings in Designated Elastomer**

For use ins all Spears® PVC & CPVC Y-Strainers

**Y-Strainer Magnetic Drain Plugs**

Part Number	Size	Std Pk	Mstr Ctn	Prod Code	MSRP
-------------	------	--------	----------	-----------	------

**Magnetic Drain Plugs - PVC**

Optional Drain Plug Replacement

MDP-007	<b>1/2 &amp; 3/4</b>	1	25	299	181.92
MDP-010	<b>1</b>	1	25	299	199.48
MDP-012	<b>1-1/4</b>	1	25	299	218.20
MDP-015	<b>1-1/2 to 4</b>	1	25	299	238.49



**Magnetic Drain Plug - CPVC**

Optional Drain Plug Replacement

MDP-007C	<b>1/2 &amp; 3/4</b>	1	10	299	193.77
MDP-010C	<b>1</b>	1	25	299	218.28
MDP-012C	<b>1-1/4</b>	1	25	299	236.59
MDP-015C	<b>1-1/2 to 4</b>	1	10	299	248.83

